

## DESCRIPTION

AMC MODEL SWN-218-2DT-STANDARD OPTION: 12, B06HPR2W, B08, B09, B10HI80DB, LS75NS IS AN ABSORPTIVE/NON-REFLECTIVE SINGLE POLE TWO THROW SWITCH DESIGNED TO OPERATE BETWEEN THE 1 TO 2 GHz FREQUENCY RANGE WITH LOW INSERTION LOSS AND HIGH ISOLATION.

## SPECIFICATIONS

- FREQUENCY RANGE: ..... 1 TO 2 GHz
- INSERTION LOSS: ..... 1.5 dB MAXIMUM
- ISOLATION: ..... 80 dB MINIMUM
- VSWR: ..... 2.0:1
- DELAY ON: ..... 750 nSec MAXIMUM
- DELAY OFF: ..... 750 nSec MAXIMUM
- POWER INPUT: ..... (CW)+20 dBm (STANDARD), +10 dBm (HIGH SPEED)
- SURVIVAL POWER: ..... 2 WATT CW, 10 WATTS PEAK 1 uSec
- CONTROL: ..... TTL LOGIC "0" = J1-J2 ON  
TTL LOGIC "1" = J1-J3 ON
- VIDEO TRANSIENTS: ..... 30 mV PEAK TO PEAK MAXIMUM @ 20 MHz BW  
150 mV PEAK TO PEAK MAXIMUM @ 100 MHz BW
- POWER SUPPLY: ..... +5V @ 100 mA MAXIMUM  
-5V @ 100 mA MAXIMUM
- CONNECTORS:  
RF: ..... SMA FEMALE  
CONTROL: ..... SOLDER PIN
- SIZE: ..... 1.20" (L) x 1.00" (W) x 0.50" (H)
- WEIGHT: ..... 1.5 OUNCE TYPICAL

## OPTIONS:

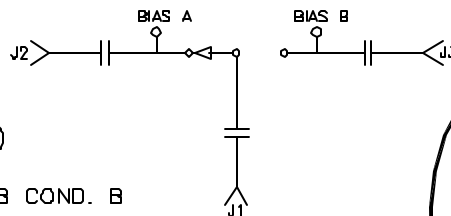
- 12: ..... 1 TO 2 GHz FREQUENCY RANGE
- B06HPR2W: ..... RF POWER OF 2 WATTS
- B08: ..... LOW VIDEO TRANSIENTS
- B09: ..... LOW INSERTION LOSS VERSION
- B10HI80DB: ..... HIGH ISOLATION OF 80 dB MINIMUM
- LS75NS: ..... LOW SPEED OF 750 nSec

## ENVIRONMENTAL RATINGS:

- TEMPERATURE: ..... -55°C TO +85°C (OPERATING)  
-65°C TO +125°C (STORAGE)
- HUMIDITY: ..... MIL-STD-202F, METHOD 103B COND. B
- SHOCK: ..... MIL-STD-202F, METHOD 213B COND. B
- VIBRATION: ..... MIL-STD-202F, METHOD 204D COND. B
- ALTITUDE: ..... MIL-STD-202F, METHOD 105C COND. B
- TEMPERATURE CYCLE: ..... MIL-STD-202F, METHOD 107D COND. A

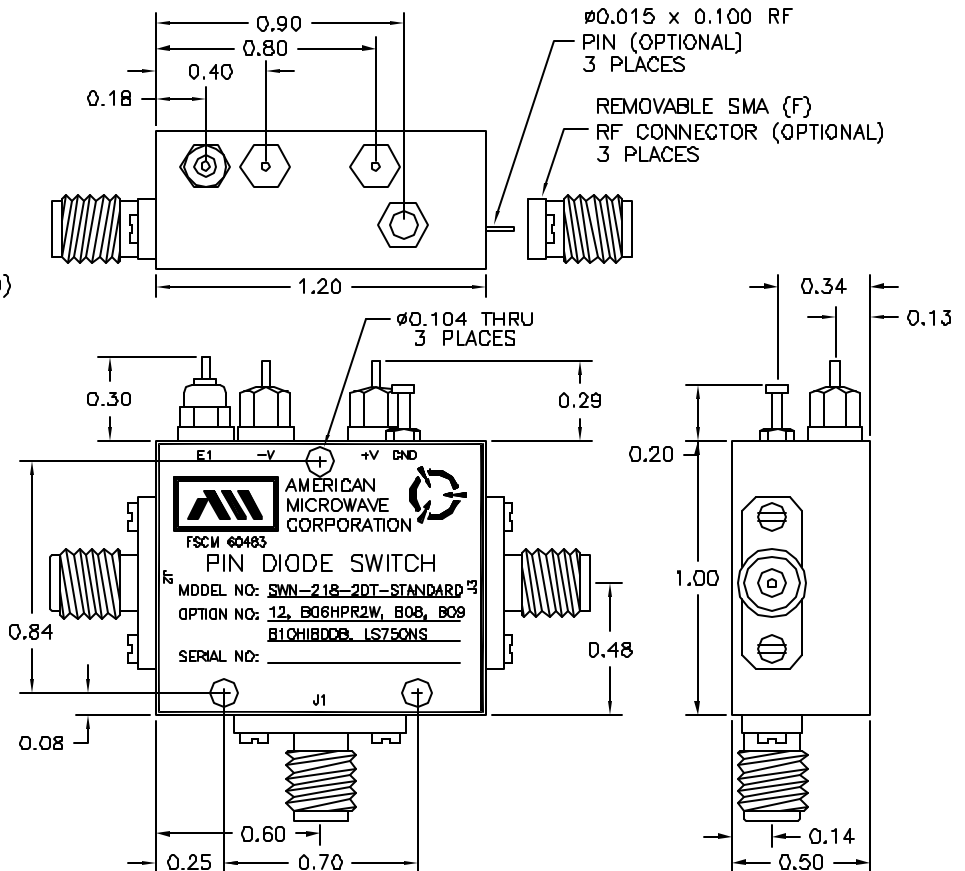
NOTE: SPECIFICATIONS WILL VARY OVER OPERATING TEMPERATURE  
NOTE: THE ABOVE SPECIFICATIONS ARE SUBJECT TO CHANGE OR REVISION

BLOCK DIAGRAM



ALL DIMENSIONS ARE IN INCHES  
TOLERANCES:  
X.XX ±0.020  
X.XXX ±0.010

REVISIONS				
ZONE	REV.	DESCRIPTION	DATE	APPROVED
-	-	ORIGINAL RELEASE JOB# 504114N	5/20/05	



## AMERICAN MICROWAVE CORPORATION

7311-G GROVE ROAD  
FREDERICK, MARYLAND 21704 USA  
TEL: 301-662-4700 FAX: 301-662-4938  
WEBSITE: [www.americanmicrowavecorp.com](http://www.americanmicrowavecorp.com)  
E-MAIL: [sales@americanmicrowavecorp.com](mailto:sales@americanmicrowavecorp.com)  
ISO 9001:2000 CERTIFIED



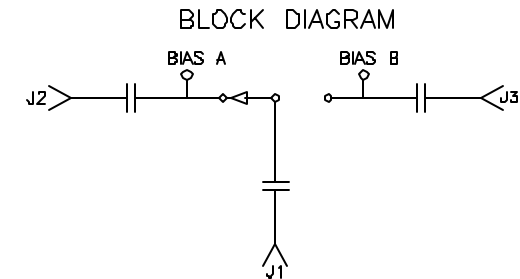
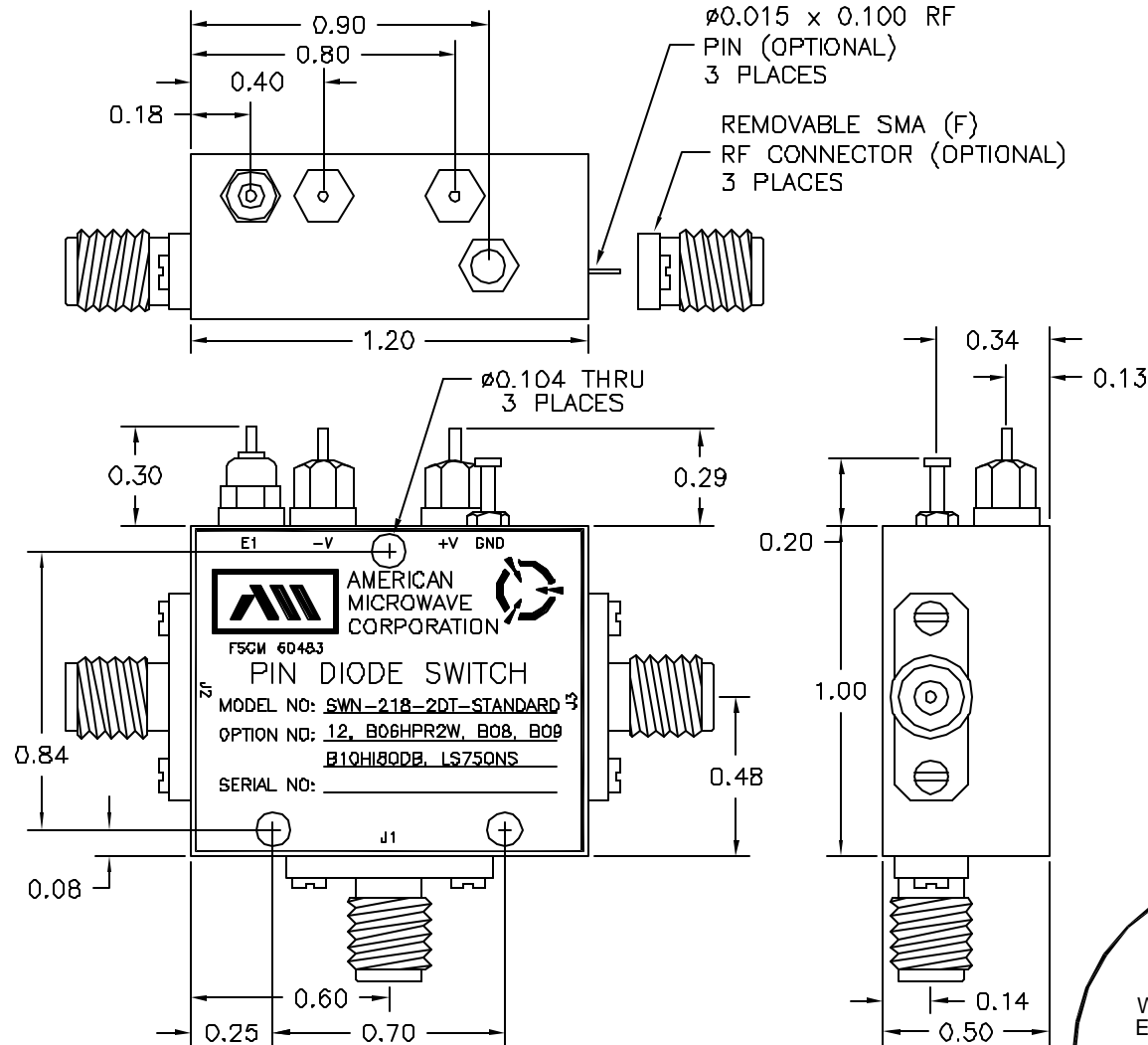
APPROVALS		DATE	TITLE		
DRAWN: JDS		5/20/05	PRODUCT FEATURE SWN-218-2DT-STANDARD		
CHECKED:			OPTION: 12, B06HPR2W, B08, B09, B10HI80DB, LS75NS 1 - 2 GHz, SINGLE POLE TWO THROW SWITCH		
ISSUED:			SIZE: A	FSCM NO. 60483	DWG NO. 100-7447
			SCALE: N:S	SHEET 1 OF 3	

# DESCRIPTION

AMC MODEL SWN-218-2DT-STANDARD OPTION: 12, B06HPR2W, B08, B09, B10HI80DB, LS75NS IS AN ABSORPTIVE/NON-REFLECTIVE SINGLE POLE TWO THROW SWITCH DESIGNED TO OPERATE BETWEEN THE 1 TO 2 GHz FREQUENCY RANGE WITH LOW INSERTION LOSS AND HIGH ISOLATION.

REVISIONS				
ZONE	REV.	DESCRIPTION	DATE	APPROVED
	-	ORIGINAL RELEASE JOB# 504114N	5/20/03	

# MECHANICAL OUTLINE



# AMERICAN MICROWAVE CORPORATION

7311-G GROVE ROAD  
 FREDERICK, MARYLAND 21704 USA  
 TEL: 301-662-4700 FAX: 301-662-4938  
 WEBSITE: [www.americanmicrowavecorp.com](http://www.americanmicrowavecorp.com)  
 E-MAIL: [sales@americanmicrowavecorp.com](mailto:sales@americanmicrowavecorp.com)  
 ISO 9001:2000 CERTIFIED



ALL DIMENSIONS ARE IN INCHES  
 TOLERANCES:  
 X.XX ±0.020  
 X.XXX ±0.010

APPROVALS		DATE	TITLE		
DRAWN	<i>[Signature]</i>	5/20/03	MECHANICAL OUTLINE SWN-218-2DT-STANDARD		
CHECKED			OPTION: 12, B06HPR2W, B08, B09, B10HI80DB, LS75NS 1 - 2 GHz, SINGLE POLE TWO THROW SWITCH		
ISSUED			SIZE	FSCM NO.	DWG NO.
			A	60483	100-7447
			SCALE	N:S	SHEET 2 OF 3